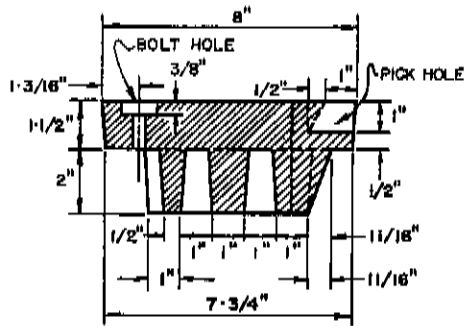
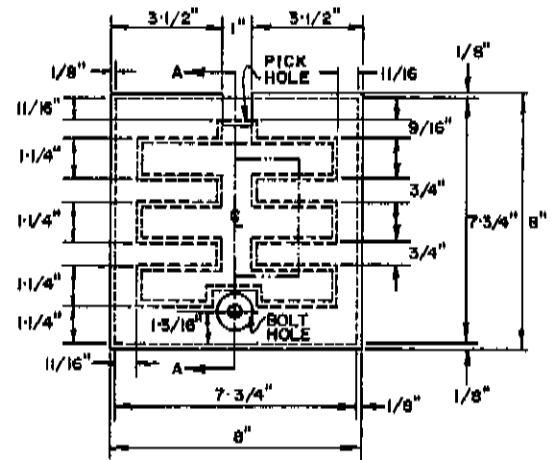


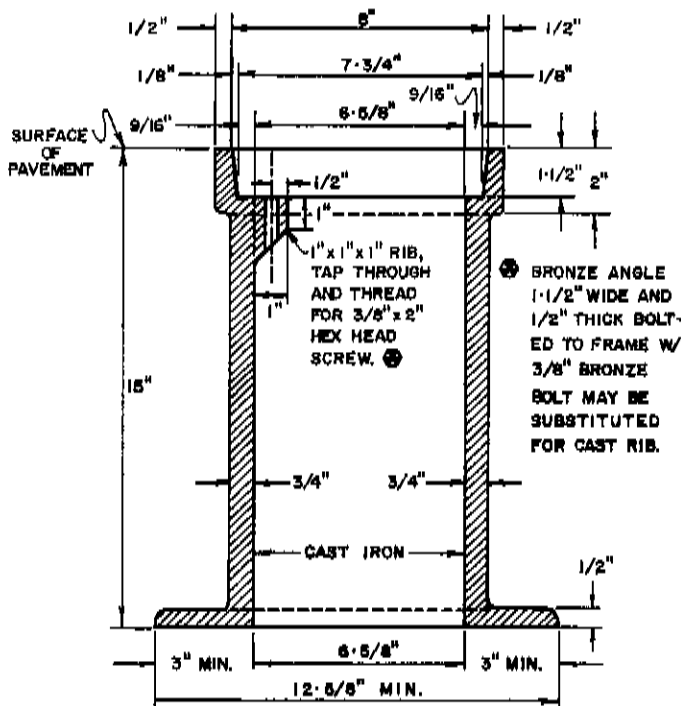
**MISCELLANEOUS  
DETAILS**



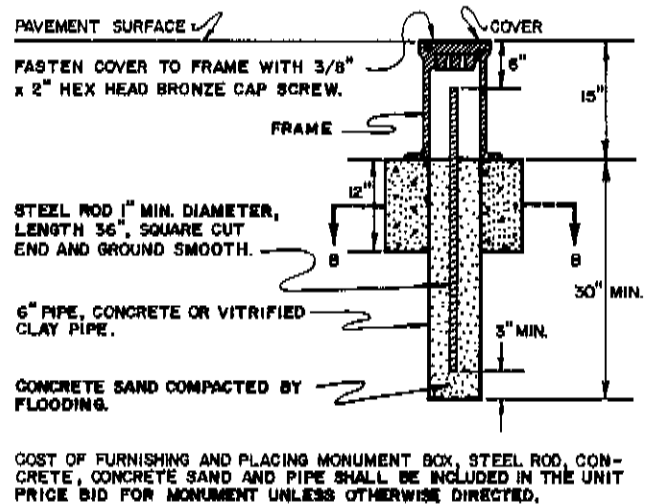
MONUMENT BOX COVER  
SECTION A-A



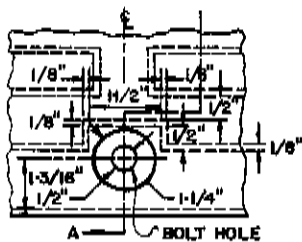
MONUMENT BOX COVER PLAN



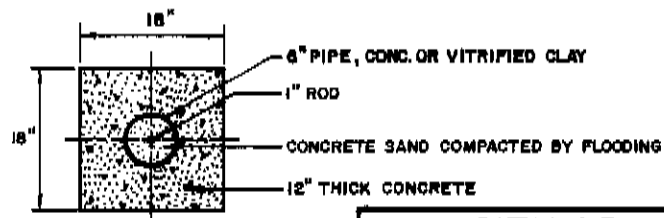
MONUMENT BOX FRAME SECTION



MONUMENT ASSEMBLY SECTION

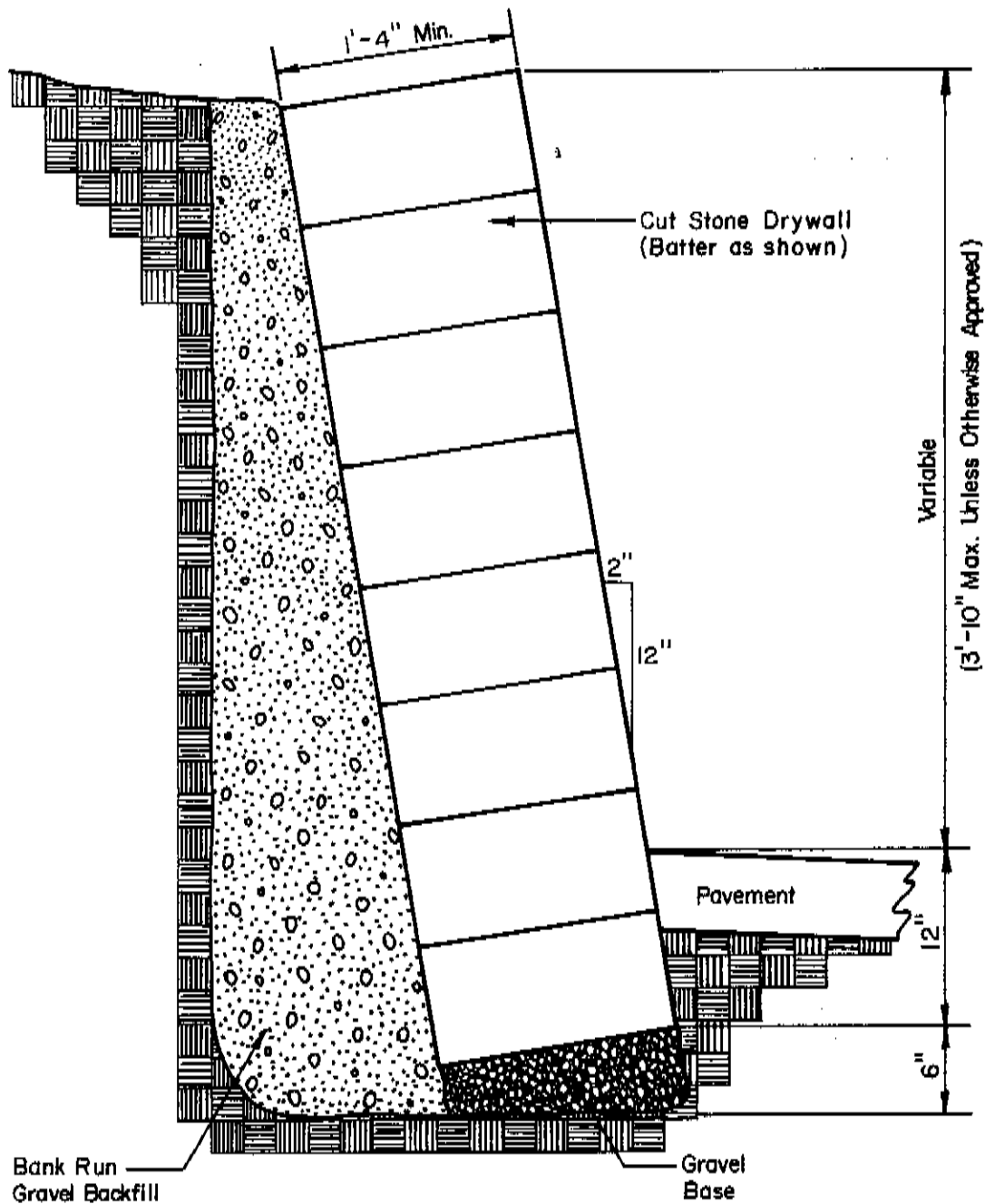


SCREW HOLE DETAIL



SECTION B-B

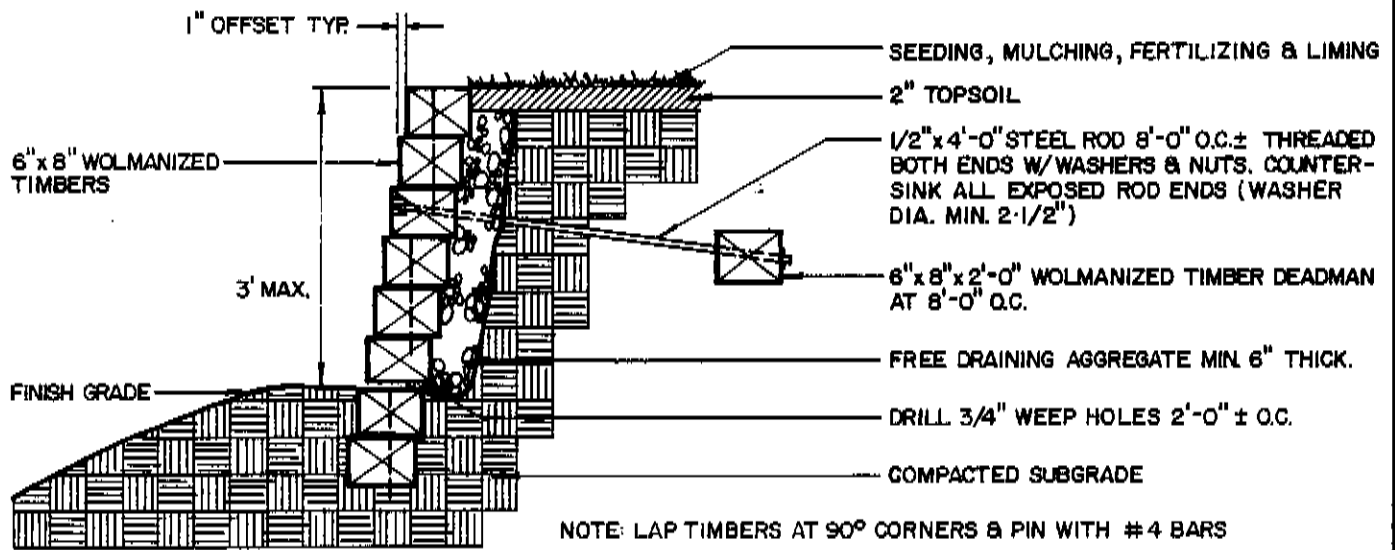
<b>CITY OF KENT, OHIO</b> DEPARTMENT OF PUBLIC SERVICE ENGINEERING DIVISION			
<b>CONSTRUCTION STANDARDS</b>			
MONUMENT BOXES			
DATE	5-1-87	BY	CLW
			NO. MC-1
CITY ENGINEER <i>D. Allen Sutherland</i>			



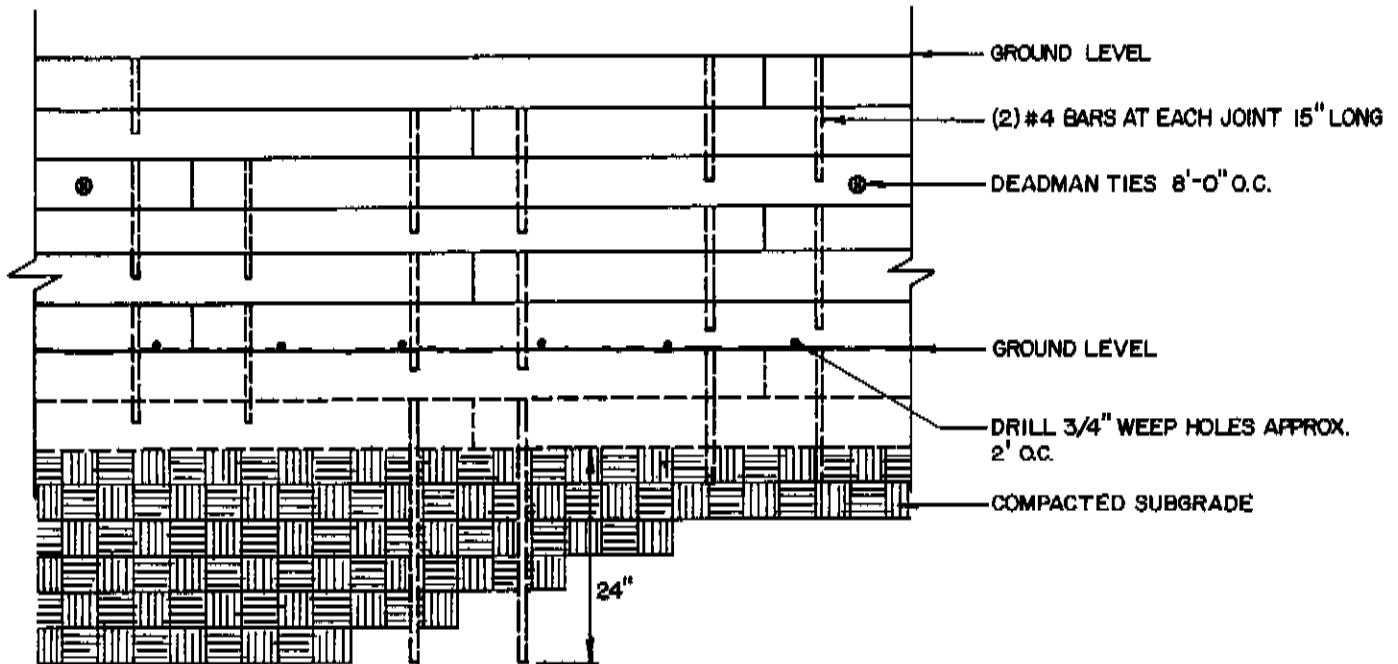
DRY WALL MATERIAL

1. Salvaged Stone Curbing or
2. Salvaged Foundation Stone or
3. Reject "Flexicore" Beams
4. Solid Concrete Blocks on Footer

<b>CITY OF KENT, OHIO</b> DEPARTMENT OF PUBLIC SERVICE ENGINEERING DIVISION			
<b>CONSTRUCTION STANDARDS</b>			
<b>DRY RETAINING WALL</b>			
DATE	12-86	BY	CLW NO. MC-2
CITY ENGINEER		<i>W. A. Bumbaker</i>	

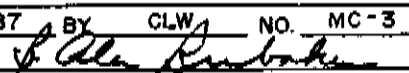


WALL SECTION



PARTIAL WALL ELEVATION

WALLS GREATER THAN 3'-0" IN HEIGHT WILL NOT BE APPROVED WITHOUT SOILS ANALYSIS, AND STRUCTURAL CALCULATIONS ALONG WITH PLANS STAMPED BY A REGISTERED ENGINEER.

<b>CITY OF KENT, OHIO</b> DEPARTMENT OF PUBLIC SERVICE ENGINEERING DIVISION			
<b>CONSTRUCTION STANDARDS</b>			
TIMBER RETAINING WALL			
DATE	12/1/87	BY	CLW
CITY ENGINEER			
		NO.	MC-3